

AN ISO 9001 : 2015 CERTIFIED COMPANY


Tyler[®]

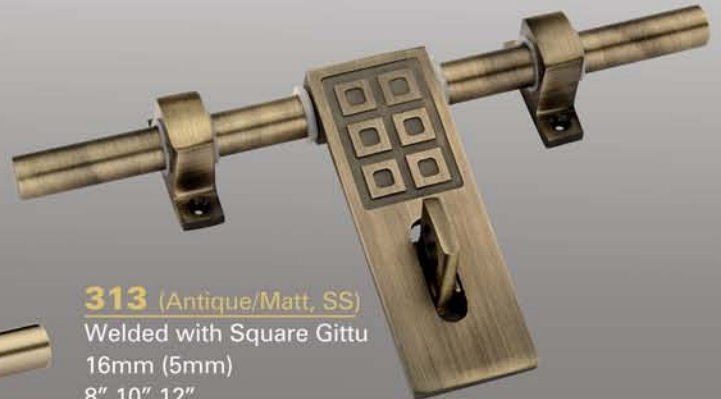
CATALOGUE 2024

Reflecting your unique style





312 (Antique/Matt, SS)
Welded with Square Gittu
16mm (5mm)
8", 10", 12"



313 (Antique/Matt, SS)
Welded with Square Gittu
16mm (5mm)
8", 10", 12"



GAJANAN
Welded with Square Gittu
16mm (5mm)
8", 10", 12"



BRICK (Antique, SS)
Welded with Square Gittu
16mm (5mm)
8", 10", 12"



OCTAGON
Welded with Square Gittu
16mm (5mm)
8", 10", 12"



GRID
Welded with Square Gittu
16mm (5mm)
8", 10", 12"



STONES
Welded with Square Gittu
16mm (5mm)
8", 10", 12"



C-TYPE
Welded with Square Gittu
16mm (5mm)
8", 10", 12"



LAHAR (2 Line)
Welded with Square Gittu
16mm (5mm)
8", 10", 12"



STRAIGHT PATTA (Antique)
Welded with Square Gittu
16mm (5mm)
8", 10", 12"



PEACOCK LAZER
Welded
16mm (4mm)
8", 10", 12"



NEW LAHER
Side 2 Line (Welded)
16mm (3,4mm)
8", 10", 12"



SQUARE LAZER
Welded
16mm (4mm)
8", 10", 12"



VINE LAZER
Welded
16mm (4mm)
8", 10", 12"



CURVE LAZER
Welded
16mm (4mm)
8", 10", 12"



GANESH LAZER
Welded
16mm (4mm)
8", 10", 12"



ZAZZ

2 Line
14mm (2,3mm)
16mm (3mm)
8",10",12"



COIN (2 Tone)

14mm (2,3mm)
16mm (3mm)
8",10",12"



SIDE 4 DOT (2 Tone)

14mm (2,3mm)
16mm (3mm)
8",10",12"



MANGO (2 Tone)

14mm (2,3mm)
16mm (3mm)
8",10",12"



NEW LAHER

Mirror Polish (Welded)
16mm (4mm)
8",10",12"



MID LINE (2 Tone)

14mm (2,3mm)
16mm (3mm)
8",10",12"



CROSS LINE (2 Tone)

14mm (2,3mm)
16mm (3mm)
8",10",12"



NEW LAHER

Side 2 Line (Welded)
Finish Vintage & Antique
16mm (3,4mm)
8", 10", 12"



ROUND TICKLI

2 Tone (Welded)
16mm (4mm)
8", 10", 12"



LAHER

2 Line 13mm (2mm)
10mm (6") 14mm (2,3mm)
11mm (8") 16mm (3mm)
12mm (8") 8", 10", 12"



LAHER

4 Line
14mm (2,3mm)
16mm (3mm)
8", 10", 12"

S.S. Latch



OCTAGON

Welded With Square Gittu
12mm (3mm)
8", 10", 12"



Grid

Welded With Square Gittu
12mm (3mm)
8", 10", 12"



STONES

Welded With Square Gittu
12mm (3mm)
8", 10", 12"



C-TYPE

Welded With Square Gittu
12mm (3mm)
8", 10", 12"

Exclusive Products



312
Wed With Sq. Gittu
12mm (3mm)
8", 10", 12"



313
Wed With Sq. Gittu
12mm (3mm)
8", 10", 12"



BRICK
Wed With Sq. Gittu
12mm (3mm)
8", 10", 12"



GAJANAN
Wed With Sq. Gittu
12mm (3mm)
8", 10", 12"



LAHER
2 Line
11mm (16 Gauge)
12mm (14 Gauge)
8", 10", 12"



NEW LAHER
Welded Side 2 Line
12mm (12 Gauge)
8", 10", 12"



CROSS LINE
2 Tone
11mm (16 Gauge)
8", 10", 12"



SIDE 4 DOT
2 Tone
11mm (16 Gauge)
8", 10", 12"



MANGO
2 Tone
11mm (16 Gauge)
8", 10", 12"



MID LINE
2 Tone
11mm (16 Gauge)
8", 10", 12"

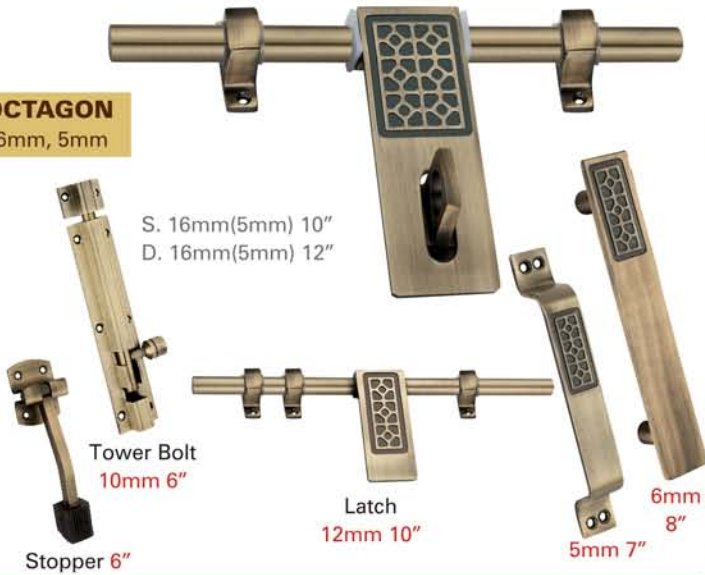


SQUARE LAZER
Welded
12mm (11 Gauge)
8", 10", 12"

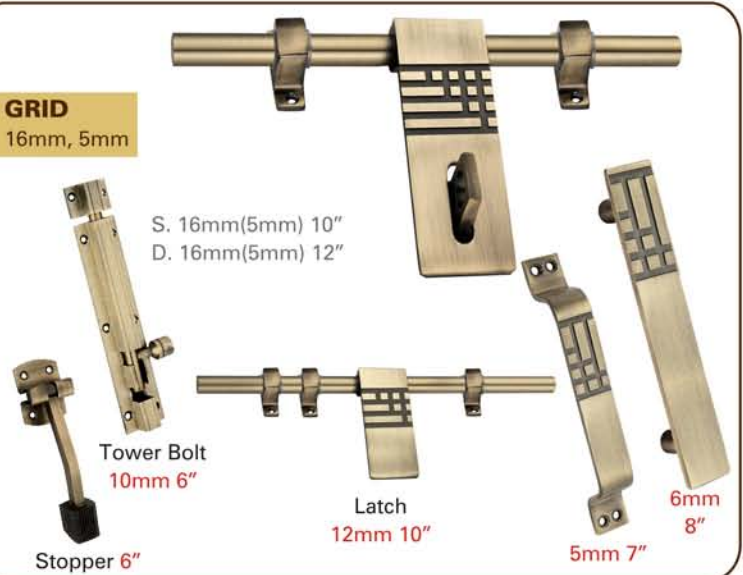


ROUND TICKLI
Welded 2 Tone
12mm (11 Gauge)
8", 10", 12"

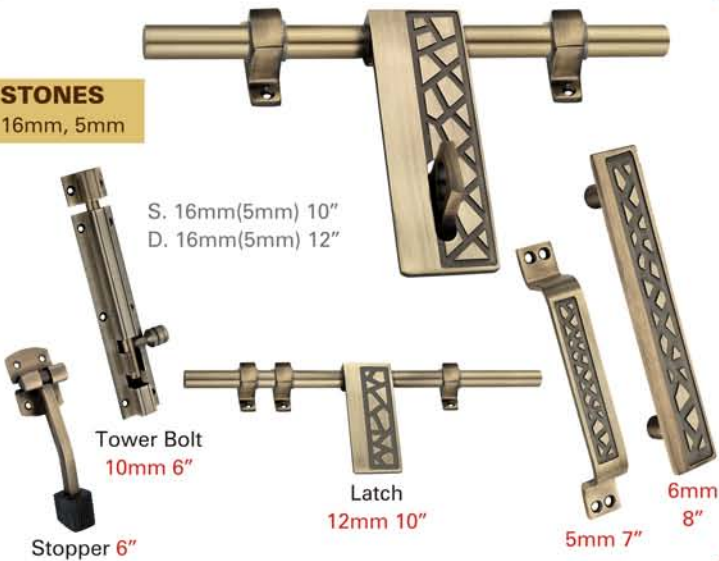
OCTAGON
16mm, 5mm



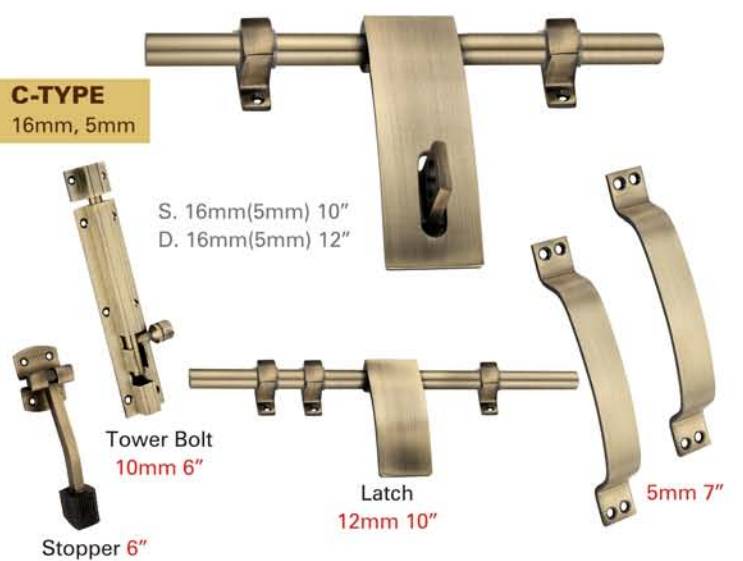
GRID
16mm, 5mm



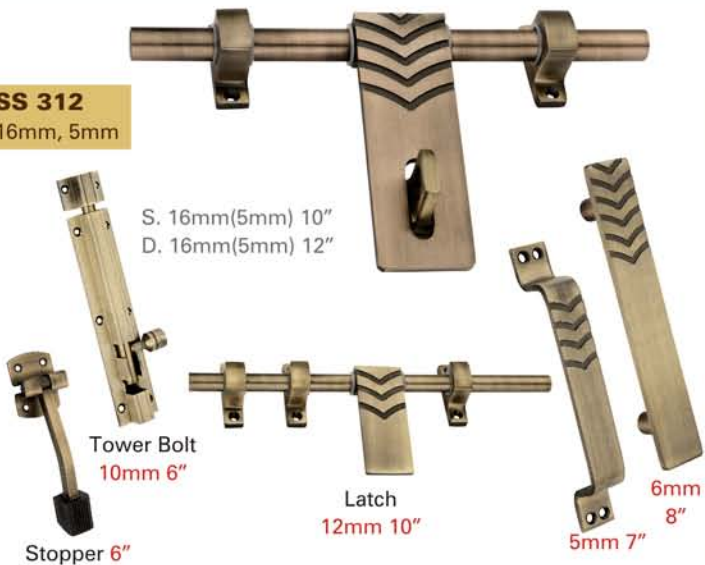
STONES
16mm, 5mm



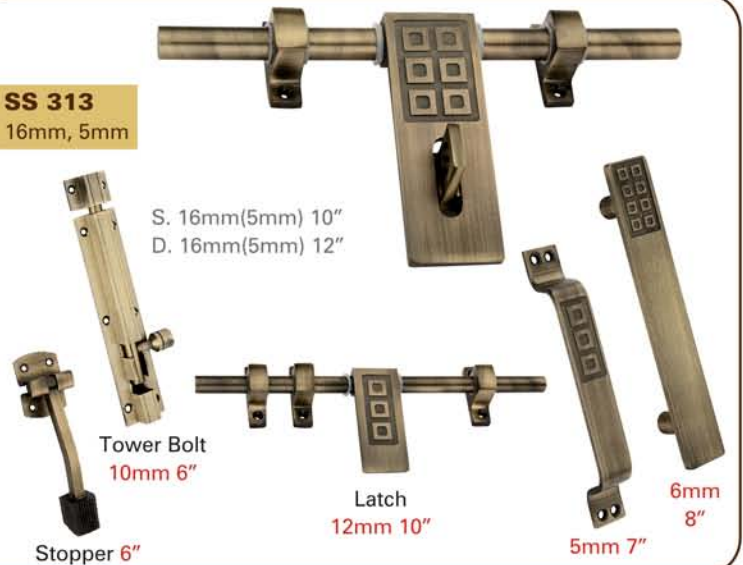
C-TYPE
16mm, 5mm



SS 312
16mm, 5mm



SS 313
16mm, 5mm



GAJANAN
16mm, 5mm

S. 16mm(5mm) 10"
D. 16mm(5mm) 12"

Tower Bolt
10mm 6"

Stopper 6"

Latch
12mm 10"

6mm 8"
5mm 7"

BRICK
16mm, 5mm

S. 16mm(5mm) 10"
D. 16mm(5mm) 12"

Tower Bolt
10mm 6"

Stopper 6"

Latch
12mm 10"

6mm 8"
5mm 7"

VINE
Lazer 4mm

S. 16mm(4mm) 10"
D. 16mm(4mm) 12"

Tower Bolt
10mm 6"

Stopper 4"

Latch
12mm 10"

Handle
25mm 7"

PEACOCK
Lazer 4mm

S. 16mm(4mm) 10"
D. 16mm(4mm) 12"

Tower Bolt
10mm 6"

Stopper 4"

Latch
12mm 10"

Handle
25mm 7"

GANESH
Lazer 4mm

S. 16mm(4mm) 10"
D. 16mm(4mm) 12"

Tower Bolt
10mm 6"

Stopper 4"

Latch
12mm 10"

Handle
25mm 7"

CURVE
Lazer 4mm

S. 16mm(4mm) 10"
D. 16mm(4mm) 12"

Tower Bolt
10mm 6"

Stopper 4"

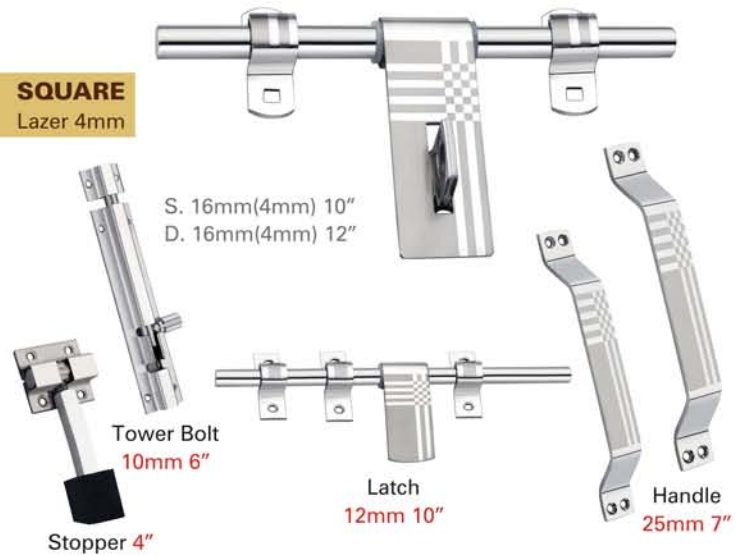
Latch
12mm 10"

Handle
25mm 7"

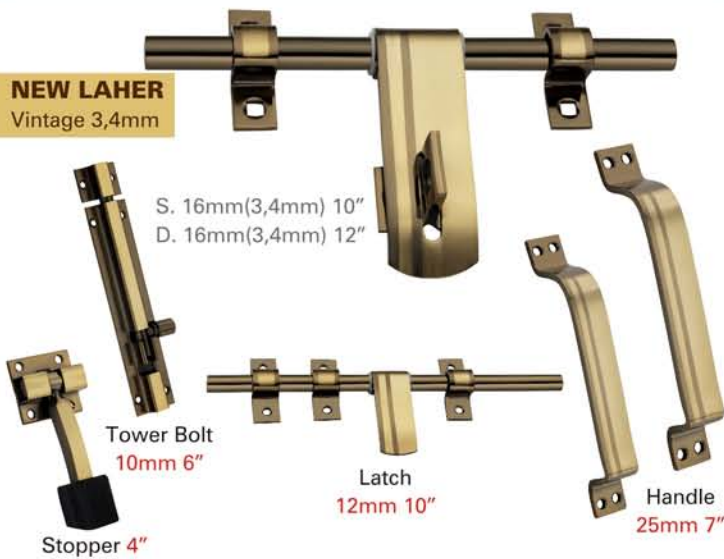
NEW LAHER 3MM
Side 2 Line (Welded)



SQUARE
Lazer 4mm



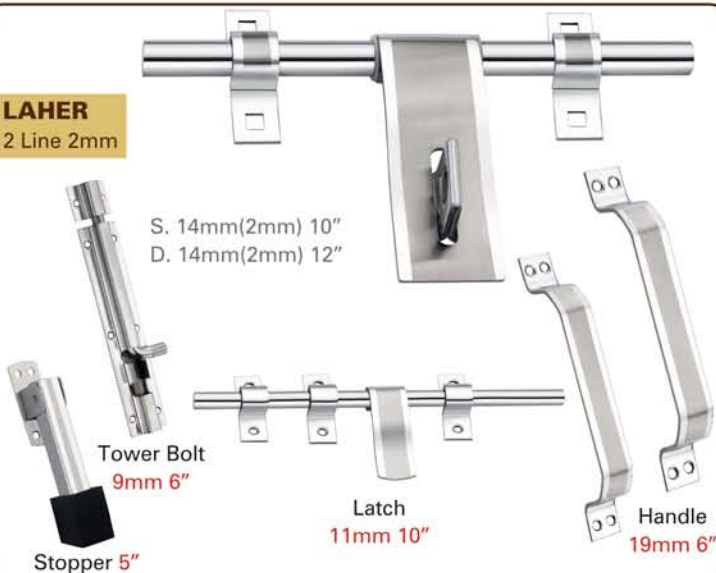
NEW LAHER
Vintage 3,4mm



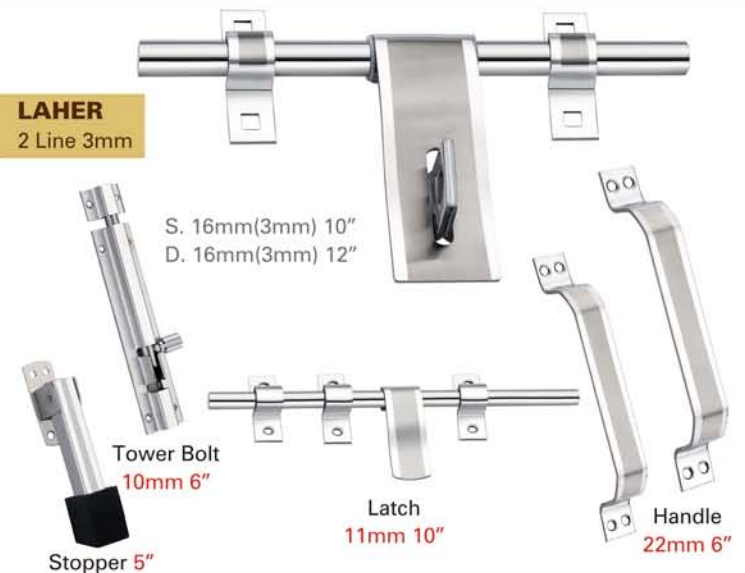
ROUND TICKLI
2 Tone 4mm



LAHER
2 Line 2mm

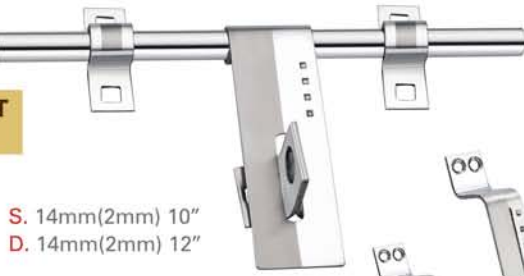


LAHER
2 Line 3mm



SIDE 4 DOT

2 Tone 2mm



S. 14mm(2mm) 10"
D. 14mm(2mm) 12"



Tower Bolt
9mm 6"

Stopper 5"



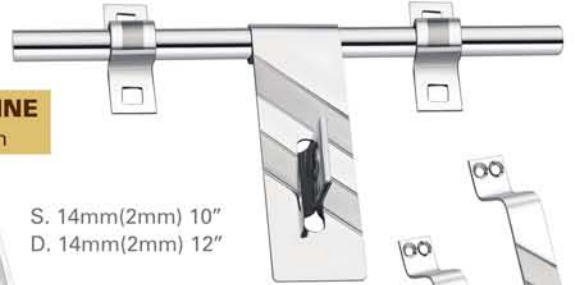
Latch
11mm 10"



Handle
19mm 6"

CROSS LINE

2 Tone 2mm



S. 14mm(2mm) 10"
D. 14mm(2mm) 12"



Tower Bolt
9mm 6"

Stopper 5"



Latch
11mm 10"



Handle
19mm 6"

MANGO

2 Tone 3mm



S. 16mm(3mm) 10"
D. 16mm(3mm) 12"

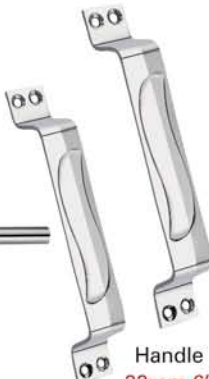


Tower Bolt
10mm 6"

Stopper 5"



Latch
11mm 10"



Handle
22mm 6"

MID LINE

2 Tone 3mm



S. 16mm(3mm) 10"
D. 16mm(3mm) 12"



Tower Bolt
10mm 6"

Stopper 5"



Latch
11mm 10"



Handle
22mm 6"

S.S. Pooja Door Kit



GAJANAN

Welded
12mm (11 Gauge)
8", 10"

Handle
22mm 6"

S.S. Bathroom Door Kit



FLATE

Welded
12mm (11 Gauge)
8", 10"

Handle
22mm 6"



Matt Ant. & Glossy Ant.
25mm 6Gauge 7"



Matt SS
25mm 6Gauge 7"



LEHER

MM	Gauge	Inch
19	14,12	4,5,6
22	12	4,5,6
22	10	4,5,6,7
25	8	5,6,7
25	6	8



NOVA

MM	Gauge	Inch
19	14,12	4,5,6
22	12	4,5,6
22	10	4,5,6,7
25	8	5,6,7
25	6	8



C TYPE

MM	Gauge	Inch
19	14,12	4,5,6
22	12	4,5,6
22	10	4,5,6,7
25	8	5,6,7



D TYPE

MM	Gauge	Inch
12	13	4
19	14,12	4,5,6
22	12	4,5,6
22	10	4,5,6,7
25	8	5,6,7



SIDDI

MM	Gauge	Inch
19	14,12	4,5,6
22	12	4,5,6



CLASSIC

MM	Gauge	Inch
22	10	4,5,6,7
25	8	5,6,7
25	6	8



C CUT

MM	Gauge	Inch
25	8	5,6,7
25	6	8



D CUT

MM	Gauge	Inch
25	8	5,6,7
25	6	8



NEW LEHER

MM	Gauge	Inch
22	10	4,5,6,7
25	8	5,6,7
25	6	8



SQUARE LAZER

MM	Gauge	Inch
25	8	5,6,7



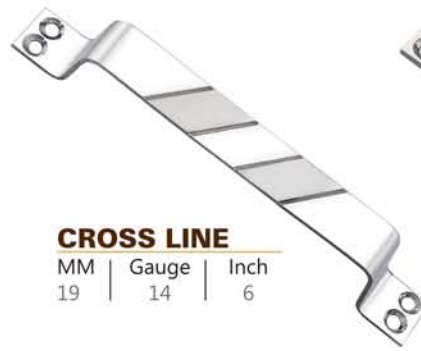
ROUND TICKLI

MM	Gauge	Inch
25	8	5,6,7



SIDE 4 DOT

MM	Gauge	Inch
19	14	6



CROSS LINE

MM	Gauge	Inch
19	14	6



MID LINE

MM	Gauge	Inch
22	12	6



MANGO

MM	Gauge	Inch
22	12	6



COIN

MM	Gauge	Inch
22	12	6

S.S. Window Handle



Exclusive Products



OCTAGON

MM	Gauge	Inch
25	6	7



GRID

MM	Gauge	Inch
25	6	7



STONES

MM	Gauge	Inch
25	6	7



SS 312

MM	Gauge	Inch
25	6	7



SS 313

MM	Gauge	Inch
25	6	7



BRICK

MM	Gauge	Inch
25	6	7



GAJANAN

MM	Gauge	Inch
25	11	6
25	6	7



D HANDLE

MM	Gauge	Inch
19	6	5
19	6	6
19	6	7
22	6	8



C-TYPE

MM	Gauge	Inch
25	6	7

S.S. Double Door Handle



SPIRAL

Size : 3"x 6", 4"x 8", 5"x 10",
Finish: Antique



TREE

Size : 3"x 6", 4"x 8", 5"x 10",
Finish: Antique



HEX

Size : 3"x 6", 4"x 8", 5"x 10",
Finish: Antique

Exclusive Products



D DOT
Finish : 2 Tone
Size : 4",6",8"
Back Screw



ROYAL D
Finish : 2 Tone
Size : 4",6",8"
Back Screw



D OVEL
Finish : 2 Tone
Size : 4",6",8"
Back Screw



D SQUARE
Finish : Full Polish
Size : 4",6",8",10",12"
Back Screw



HALF D
Finish : 2 Tone
Size : 4",6",8"
Back Screw



C ROUND
Finish : 2 Tone
Size : 4",6",8"
Back Screw



SUPER SQUARE D
Finish : 2 Tone
Size : 4",6",8",10",12"
Back Screw



CLASSIC
Finish : 2 Tone
Size : 4",6",8"
Front Screw



CADBURY D
Finish : 2 Tone
Size : 4",6",8"
Front Screw



D RING
Finish : 2 Tone
Size : 4",6",8"
Front Screw



C OVAL
Finish : 2 Tone
Size : 4",6",8"
Front Screw



SUPER D
Finish : 2 Tone
Size : 4",6",8"
Front Screw



CADBURY C
Finish : 2 Tone
Size : 4",6",8"
Front Screw



ROUND PIPE
Finish : SS, Antq, B/Matt
Size : 4",6",8",8",12"
Back Screw

S.S. Pull Handles



PH-301



PH-302

Avl. Sizes : 8", 10", 12" & 14"



PH-303



PH-304



PH-305

Sizes : 6", 8", 10"
12" & 14"



PH-306

Sizes : 6", 8", 10"
12", 14" & 16"



PH-307

Sizes : 8", 10"
12" & 14"



PH-309

Sizes : 8" TO 24"

Exclusive Products



OCTAGON



STONES



GRID



PH-312



PH-313

Avl. Sizes : 8", 10", 12", 14", 18" & 24"



PH-MANGO



PH-310



PH-311



PH-GAJANAN

Avl. Sizes : 8", 10", 12", 14", 18" & 24"



PH-314



PH-315



PH-316



PH-317



PH-318

Avl. Sizes : 12", 15", 18" & 24"



PH CY 319
Size : 12", 15", 18", 24"





ALCH 101
Size : 5",7",8",10",12"



ALCH 102
Size : 6",8",10",12"



ALCH 103
Size : 6",8",10"



ALCH 104
Size : 7",9"



ALCH 105
Size : 6",8",10"



ALCH 106
Size : 3",4",6"



ALCH 107
Size : 3",4",6"



ALCH 108
Size : 3",4",6"



ALCH 109
Size : 3",4",6"



ALCH 110
Size : 7",8"



ALCH 111
Size : 7",8"



ALCH 112
Size : 7",8"



ALCH 113
Size : 7",8"



ALCH 114
Size : 7",8"



ALCH 115
Size : 7",8"



ALCH 116
Size : 7",8"



ALCH 117
Size : 7",8"



ROUND ROD

Double
Finish : SS
Rod Dia: 9,10 & 12mm



SQUARE ROD

Double
Finish : SS



SQUARE ROD

Single
Finish : SS
Size : 4"



ROUND ROD

Single
Finish : SS
Rod Dia: Light & Heavy



SQUARE ROD HEAVY

Single
Finish : SS & Antique
Size : 6"



PIPE

Finish : SS
Size : 5", 6"



ROYAL ROD

Finish : SS, Antique
Size : 5", 6"

Aluminium Stopper



ALD 01

Finish : SS, Antique
Size : 5", 6"



ALD 02

Finish : SS, Antique
Size : 5", 6"



ALD 03

Finish : SS, Antique
Size : 5", 6"



BRASS CAM BOLT

Tower Bolt



9mm

Single Rod
Finish: SS
Size: 3",4",6" & 8"



10mm

2 Pcs Rod
Light & Heavy
Finish: SS
Size: 3",4",6",8",10" & 12"



L TYPE

2 Pcs Rod
Finish: SS
Size: 4" & 6"

S.S.



PREMIUM

Finish : SS, Antique
Rod Dia: 10 & 12mm
Size: 4",6",8",10"&12"



PLUS POINT

Finish : SS, Antique
Rod Dia: 10mm
Size: 4",6",8",10"&12"



HALF ROUND

Finish : SS, Antique
Rod Dia: 10mm
Size: 4",6",8",10"&12"



FULL ROUND

Finish : SS, Antique
Rod Dia: 10mm
Size: 4",6",8",10"&12"

Aluminium



DUCK
Finish : CP
Leg : 3,4,5,6,8



L TYPE
Finish : CP
Leg : 3,4,5,6,8



BALL
Finish : CP
Leg : 3,4,5,6,8



NEW-C
Finish : CP
Leg : 3,4,5,6,8



CAPSUL
Finish : CP
Leg : 3,4,5,6,8



J TYPE
Finish : CP
Leg : 3,4,5,6,8



ROD HEAVY
Finish : 2 Tone
Leg : 3,4,5,6,8

S.S. Khunties



ROD LIGHT
Finish : 2 Tone
Leg : 3,4,5,6,8



V CAP
Finish : 2 Tone
Leg : 3,4,5,6,8



G CAP
Finish : 2 Tone
Leg : 3,4,5,6,8



W CAP
Finish : 2 Tone
Leg : 4,6,8



U CAP
Finish : 2 Tone
Leg : 3,4,5,6,8



S CAP
Finish : 2 Tone
Leg : 3,4,5,6,8



2 HOOK
Finish : CP



1 HOOK
Finish : CP



G CAP
Square Base
Finish : 2 Tone
Leg : 1 & 2



W CAP
Round Base
Finish : 2 Tone
Leg : 2



ROD HEAVY
Square Base Hydraulic
Finish : 2 Tone
Leg : 2



G CAP
Apple Base
Finish : 2 Tone
Leg : 1 & 2



HEART
Finish : 2 Tone
Leg : 3 in 1



BUTTERFLY
Finish : 2 Tone
Leg : 3 in 1



FLOWER
Finish : 2 Tone
Leg : 3 in 1



BUTTERFLY
Finish : 2 Tone
Leg : 1

S.S. Chest Handles



DELUXE
Size : 3",4"



DOLPHIN
Size : 3",4"



SS DOOR CHAIN
Size : 8"



SS TABLE CHAIN
Size : 6",8",10" & 12"

Exclusive Products



DIVA

Size : 1"

CP/Rose, Black Rose, CP



OSCAR

Size : 1"

Black Rose



BALL SMALL

Finish : 2 Tone
Size : 1"



BIG



OVAL SMALL

Finish : 2 Tone
Size : 1"



BIG



DIAMOND SMALL

Finish : 2 Tone
Size : 1"



BIG



TAJ

Size : 1"

Finish : Wine Gold,
Gold Antique,
Cherry Gold



LAHER

Size : 1"

Finish : Gold Silver



MANDIR

Size : 1"

Finish : Wine Gold,
Blue Gold,
Cherry Gold



16 KALI

Size : 1"

Finish : Antique



RAJWADI

Finish : Nickle Silver
Size : 1"



TROPHY

Finish : Nickle Silver
Size : 1"



C DOT

Finish : Black & Grey
Size : 1"



CROSS

Finish : Black & Grey
Size : 1"



DOUBLE CRYSTAL

Finish : Gold, Silver, Blue, Cherry
Size : 1"



CRYSTAL

Finish : Gold, Silver,
Blue, Cherry
Size : 1"



DEEP

Finish : Black, Grey
CPSS, Teak wood
Coffee
Size : 1"



POLO

Finish : Black, Grey
CPSS, Teak wood,
Coffee
Size : 1"

Aluminium Curtain Brackets

Exclusive Products

ABS (Pvc)



UMBRELLA

Colours : Size : 1"

TOP

Colours : Size : 1"

BALL

Colours : Size : 1"

SPHERE

CP/Rose Size : 1"

Iron



BUTTERFLY BASE

Size : 1"

ROUND BASE

Size : 1"

Finish: Teak Wood, Sandle Wood, Rose Wood, Brown Wood, Cherry, Black Cherry, Copper, Black Copper

Center Support



SS DOUBLE

Center Support
Finish : CP
Size : 1"(19mm 11Gez)



SS SINGLE

Center Support
Finish : CP
Size : 1"(19mm 11Gez.)
(16mm 12 Gez.)



ALUMINIUM SINGLE

Center Support
Finish : CP
Size : 1"



SS L BRACKET

Finish : SS
Size : 1x(2.5", 3" & 4")



SS F BRACKET

Adjustable
Light & Heavy
Size : 8, 9 & 10mm

Concealed



SS ROUND BASE

Size : 1"



SS APPLE BASE

Size : 1"



ALUMINIUM

Size : 1"



SS UNIVERSAL

Size : 3/4", 1"



U-BRACKET



SS PLATE

Size : 1"



SS PLAIN

Size : 1"



IRON

Size : 1"



Alu. PLAIN

Size : 1"



IRON UNIVERSAL

Size : 3/4", 1"



SS D BRACKET

Light & Heavy

Magent Catcher



REGULAR

Close Body
Size : M 5, M 7 Gold, Raj 10
Star 10 & M 12



SMART

Close Body
Size : HR 7, HR 10



DEZIRE

Open Body
Size : M 3, M 5
& M 7



SMART

Open Body
Size : M 10



PVC MAGENT DOOR HOLDER

Size : 2.5"

Exclusive Products



DOOR SILENCER

Size : 2", 2.5", 3"



SS MAGENT DOOR HOLDER

Size : 2.5", 3"



BRASS DOOR EYE

Finish : Antique



SS BIL BILLI



DIAMOND BRACKET



ROUND MIRROR BRACKET



SS L-BUTTON

Size : 1/2", 3/4", 1"



OCTA (SS Latch)

Size : Big & Small



OVAL (SS Latch)



SQUARE (Alu. Latch)



ROUND LATCH (SS Latch)



SS LOCKING BOLT

Light & Heavy

S.S. Gate Hook



ROUND ROD

Light & Heavy
Size : 4", 5", 6"

SQUARE ROD

Size : 4", 5", 6"



IRON LIGHT

Size : 10" to 20"



IRON MEDIUM

Size : 10" to 20"



IRON HEAVY

Size : 10" to 24"



SS CHANNEL

Size : 10" to 24"

S.S. Knobs



DOOR CLOSER

Capacity : 60kg



Diamond Nag

Size : 1.5"



Button

Size : 1.5"



Diamond

Size : 1.5"



Big Button

Size : 1.5"



Ring

Size : 1.5"



Oval

Size : 1.5"



Oval

Brass Base
Size : 1.5"



Flate

Brass Base
Size : 1.5"



Matka

Brass Base
Size : 1.5"

Aluminium Knobs



Cone

Size : 1.5"



Ring Dotted

Size : 1.5"



Dotted

Size : 1.5"



Thumb

Size : 1"



Square

Size : 1"



Tringle

Size : 1"



MH-1042
Size : 7"

MH-1043
Size : 7"



MH-1047
Size : 7"



MH-1048
Size : 7"

SS Mortice Handles



MH 3075
Size: 8"
CY & KY

MH 3076
Size: 8"
CY & KY



MH 3023
Size: 8",11"
CY & KY



MH 3024
Size: 8",11"
CY & KY



MH 3034
Size: 8",11"
CY & KY



MH-3029 Bubble
Size : 8"
Finish: Vintage



MH-3029 Diamond
Size : 8"
Finish: Vintage



MH-3029 Square
Size : 8"
Finish: Vintage



Latch
Size : 5"



MH-3029 Peacock
Size : 8"
Finish: Vintage



Latch
Size:5"
SS



MH 3029
Size: 8",11"
CY & KY



MH-3029 Jupiter
Size : 8"
Finish: Vintage



MH-3029 Vine
Size : 8"
Finish: Vintage



MH-3029 Pankh
Size : 8"
Finish: Vintage



MH-3029 Vine Leaf
Size : 8"
Finish: Vintage



MH 3039
Size: 7",8"



MH 3041
Size: 8"



MH 3046
Size: 7",8"



MH 3040
Size: 7",8"



MH 3042
Size: 7",8"



MH 3047
Size: 7"



MH 3032
Size: 8"
SS Plate
CY & KY
Brass Handle



MH 3077
Size: 8"
CY & KY



MH 3043
Size: 7",8"
KY



MH 3033
Size: 8",11"
CY & KY





MH 4001
Size: 7"



MH 4002
Size: 7"



MH 4003
Size: 7", 7.5"



MH 4004
Size: 7"



MH 4006
Size: 7"



MH 4007
Size: 7"



MH 4028
Size: 7"



MH 4029
Size: 7"



MH 4009
Size: 8"



MH 4010
Size: 8"



MH 4012
Size: 8"



MH 4013
Size: 8"



MH 4014
Size: 8",10"



MH 4015
Size: 8",10"



MH 4016
Size: 8",10"



MH 4018
Size: 8",10"



MH 4019
Size: 10"



MH 4021
Size: 8"



MH 4020
Size: 8",10"



MH 4022
Size: 8"



MH 4023
Size: 8"



MH 4025
Size: 8"



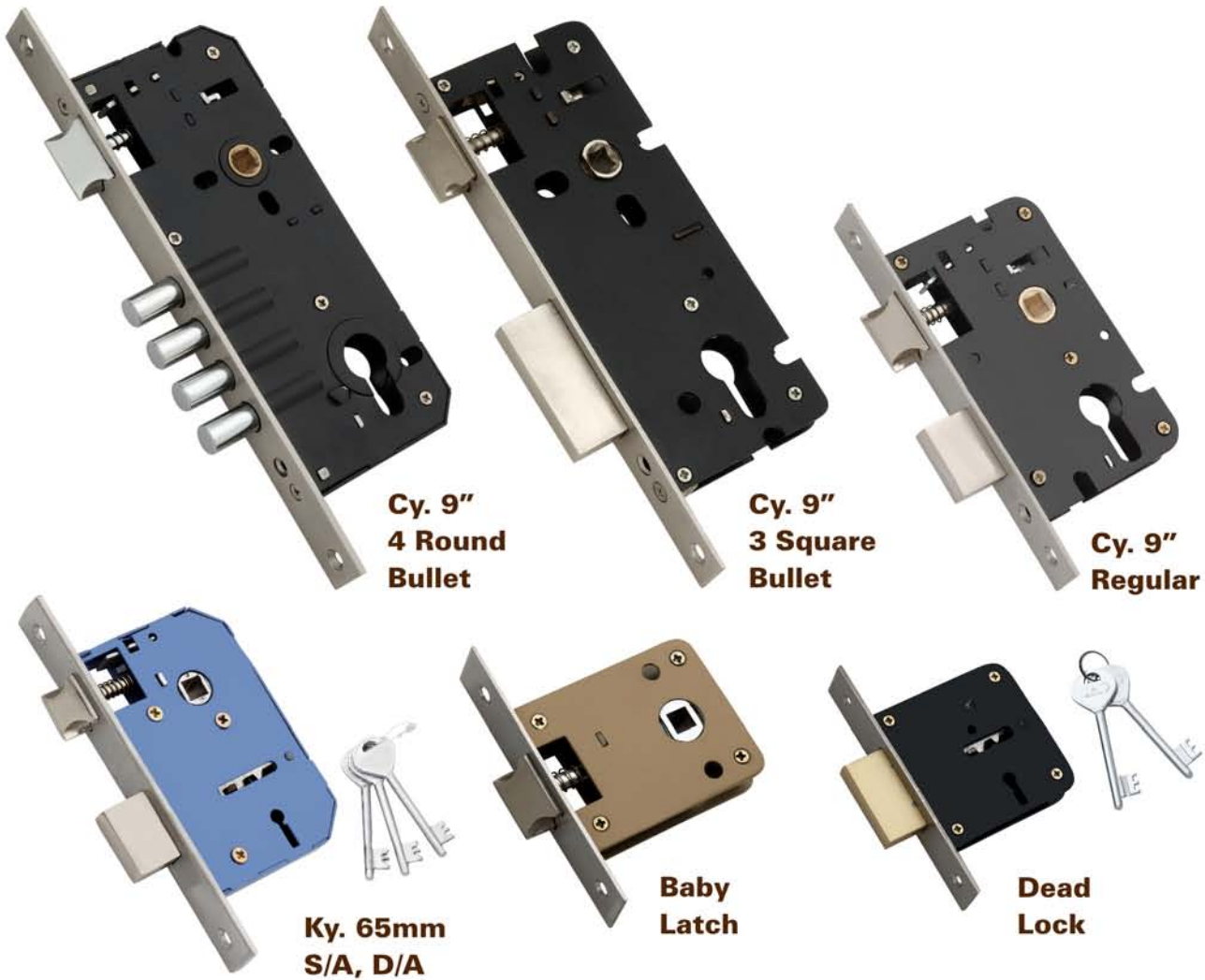
MH 4027
Size: 8"



MH 4024
Size: 8"



MH 4026
Size: 8"



Cy. 9"
4 Round
Bullet

Cy. 9"
3 Square
Bullet

Cy. 9"
Regular

Ky. 65mm
S/A, D/A

Baby
Latch

Dead
Lock

Cylinders



Knob Reversible Key



One Side Knob



Regular



Knob With Ultra



Tubular
Cylindrical
Knob Lock



MT SET
Light, Medium
Heavy & Super Heavy

Exclusive Products



HEXA BOLT LOCK

OSK & BSK
6 Bullet & 4 Ultra Key



TRI BOLT LOCK

OSK & BSK
3 Bullet & 4 Ultra Key



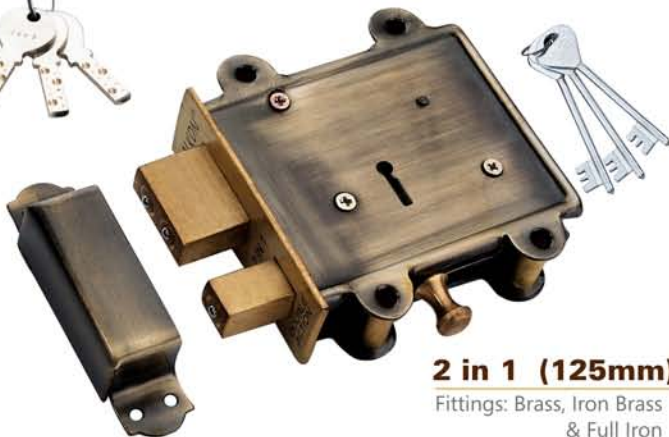
MINI TRI BOLT

OSK & BSK
3 Bullet & 4 Ultra Key



CY INTER LOCK

Ultra Key
4 & 6 Action



2 in 1 (125mm)

Fittings: Brass, Iron Brass
& Full Iron



2 in 1 (100mm)

Bullet



10-Chaal

2 Keys



75mm

Bullet/Regular

Exclusive Products



OPERA
CY Cupboard Lock
Material: Iron
Size: 23mm
Ultra/Regular Key



BUTTERFLY
CY Cupboard/Multi. Lock
Material: SS 304
Size: 23,29 & 35mm
Ultra/Regular Key



LEVER LOCK
Material: Iron
Size: 75mm
Single & Double Action



6 LEVER
Cupboard Lock
Brass Hudka
Size: 85mm



SLIDING LOCK FOR WOODEN
Size: 25mm
Ultra Key



OPTRA-SS 304
Size: 21, 29 & 32mm
Ultra Key



OPERA-IRON
Multi Lock
Size: 21mm
Ultra Key



SMART
Size: 23mm
Regular Key



DUKE ROUND
Size: 23mm
Wave Key



ELITE
Multi Lock
Material: Iron
Size: 21mm
Regular Key



DUKE
Multi Lock
Material: Iron
Size: 40mm
Regular Key



STAR
Multi Lock
Material: Iron
Size: 21mm
Regular Key



OPERA
Size: 21,29 & 32mm
Wave Key

Shutter Locks



TIGER
Side Shutter Lock
Size: 175mm
3 Stroke



AAYUSH
Side Shutter Lock
Size: 175mm
3 Stroke



COMMANDER
Side Shutter Lock
Size: 175mm
3 Stroke



BOXER
Center Shutter Lock
2 Stroke



PARI
Side Shutter Lock
Size: 175mm
3 Stroke

Tyler®



DEEP INDUSTRIES

Aligarh - 202001 (U.P.)

email : info@tylerlocks.com

web. : www.tylerlocks.com